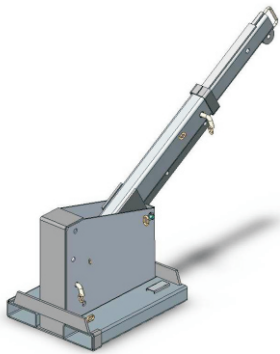


## Type NS-TJS2.5 Tilt Jib (Short)



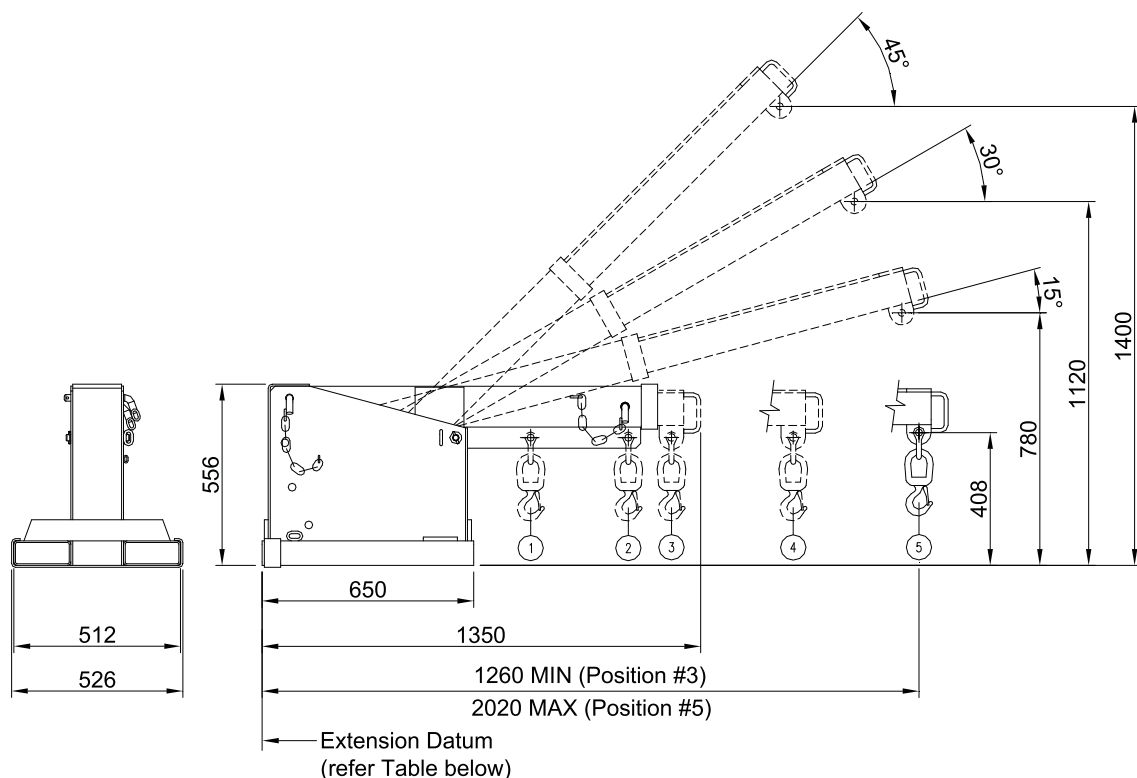
The type NS-TJS2.5 Tilt Jib (Short) is designed with a tilt facility allowing extra height to compensate for the hook and sling length lost when lifting with a Jib attachment. A maximum height of 1.4 metres can be gained while the Jib can be fully extended to 2.02 metres. This slip-on attachment is held to the Forklift by a safety chain. The Jibs overall length when closed is 1.35 metres.

The standard finish on this unit is Galvanised.

| Type NS-TJS2.5 Tilt Jib (Short) |             |
|---------------------------------|-------------|
| Product Price :                 | \$ 2,090.00 |
| Shipping Price                  |             |
| Sydney                          | \$ 65.00    |
| Brisbane                        | \$ 102.00   |
| Melbourne                       | \$ 82.00    |
| Adelaide                        | \$ 124.00   |
| Perth                           | \$ 153.00   |
| *All prices are GST exclusive   |             |

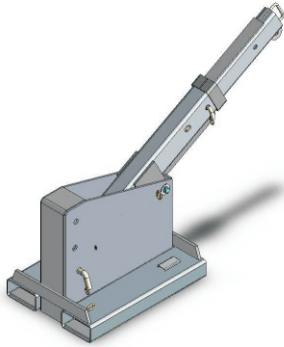
### SPECIFICATIONS:

- Safe Working Load (SWL) 2500kg Max.
- Unit Weight 130kg
- Load Centre 800mm
- Pocket Size 165 x 65
- Pocket Centres 337 mm
- Horizontal C of G 650mm
- Vertical C of G 300mm



| SAFE WORKING LOADS (SWL) PER POSITION |      |      |      |      |      |
|---------------------------------------|------|------|------|------|------|
| POSITION                              | 1    | 2    | 3    | 4    | 5    |
| EXTENSION (mm)                        | 825  | 1125 | 1260 | 1640 | 2020 |
| SWL (kg)                              | 2500 | 1800 | 1200 | 900  | 750  |

## Type NS-TJS5 Tilt Jib (Short)



The type NS-TJS5 Tilt Jib (Short) is designed with a tilt facility allowing extra height to compensate for the hook and sling length lost when lifting with a Jib attachment. A maximum height of 1.36 metres can be gained while the Jib can be fully extended to 2.03 metres. This slip-on attachment is held to the Forklift by a safety chain. The Jibs overall length when closed is 1.36 metres.

The standard finish on this unit is galvanised.

| Type NS-TJS5 Tilt Jib (Short)  |             |
|--------------------------------|-------------|
| Product Price                  | \$ 3,012.00 |
| <b>Shipping Price</b>          |             |
| Sydney                         | \$ 65.00    |
| Brisbane                       | \$141.00    |
| Melbourne                      | \$108.00    |
| Adelaide                       | \$176.00    |
| Perth                          | \$222.00    |
| * All Prices are GST exclusive |             |

### SPECIFICATIONS:

- Safe Working Load (SWL) 4750kg Max.
- Unit Weight 180kg
- Load Centre 800mm
- Pocket Size 185 x 75
- Pocket Centres 370 mm
- Horizontal C of G 650mm
- Vertical C of G 300mm

