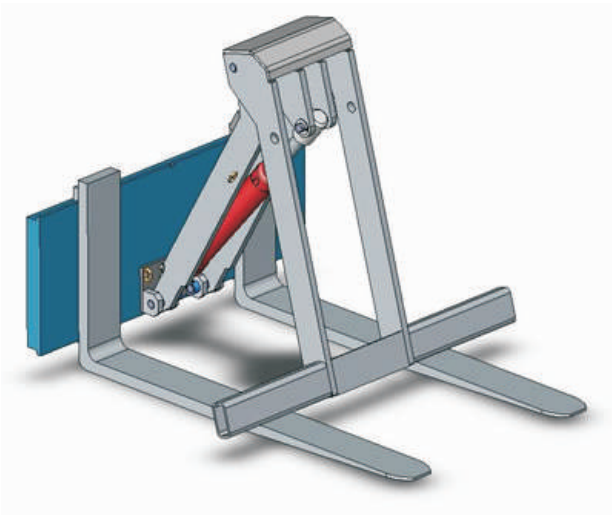


Type NS-TPO3 Push-Off



The Type NS-TPO3 Push-Off is ideally suited to the delivery of turf and landscape supplies where immediate retrieval of pallets is required. Used in conjunction with smooth top pallets, the hydraulically operated Push-Off is used to push the product from the pallets.

The NS-Push-Off is simple to operate with smooth & efficient operation and eliminates expensive replacement or retrieval of pallets when delivering. The compact design reduces lost load while still providing enormous horizontal force.

SPECIFICATIONS:

- Order to suit ISO/FEM "A" or "B" mount
- Operational range 1210mm
- Lost Load 50mm (from front face of Tines)
- Unit Weight 110kg
- Maximum operating pressure 160 bar
- Maximum hydraulic flow 30 litres/min

Type NS-TPO3A Push-Off shown
(Fork Arms & Carriage NOT supplied)

