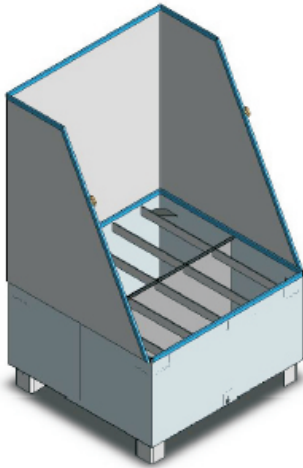


## Type NS-SLC1 Cargo Shield Spill Bin

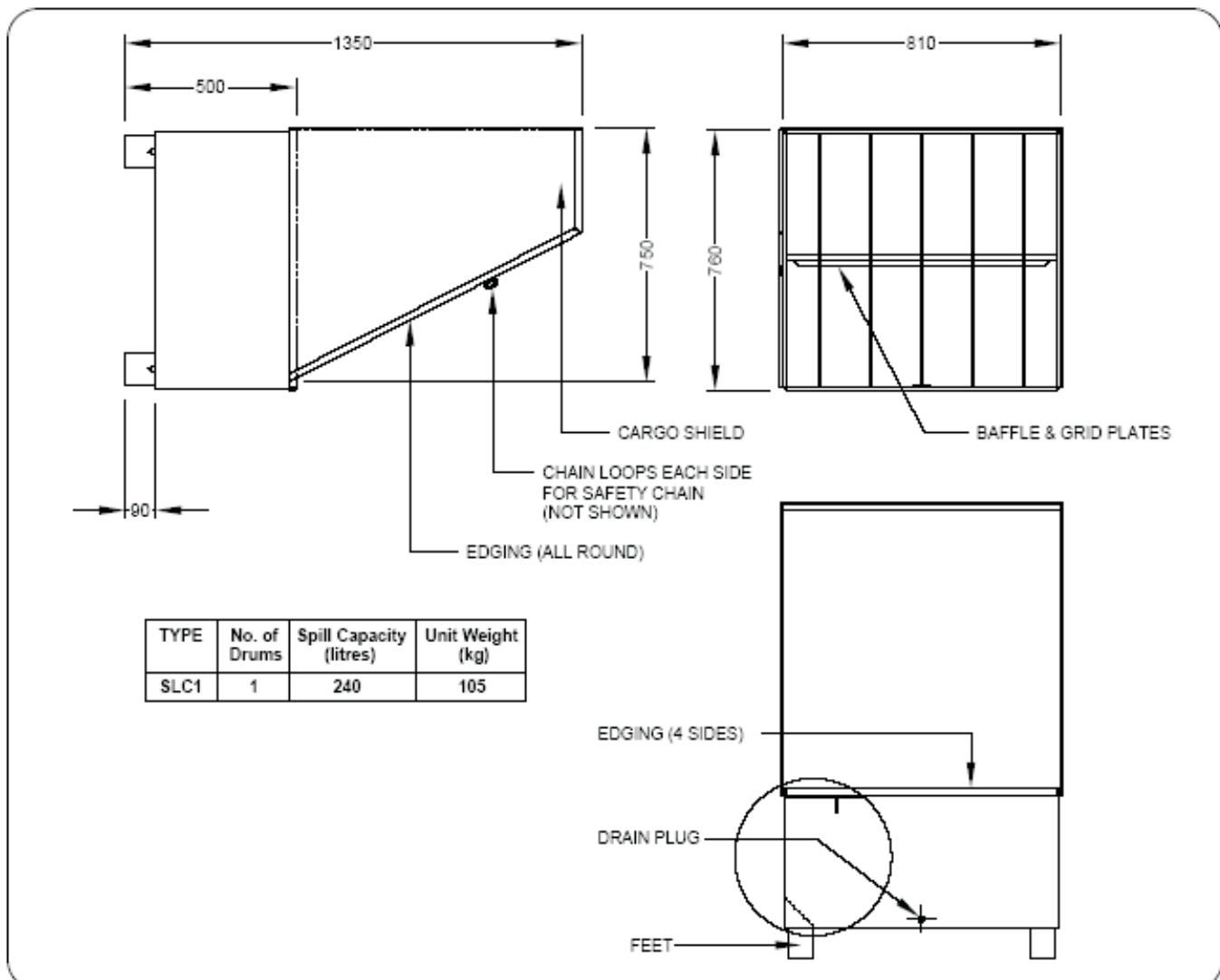


The type NS-SLC1 Cargo Shield Spill Bin offers a complete protection against damaging and costly chemical spills. This unit caters for up to 1 standard 205 litre steel drum and has a Cargo Shield with a safety chain across the front for added protection. Close spacing support bars allow for large or small drums up to 2000kg SWL to be placed directly onto the Spill Bin. The baffled containment area allows the Spill Bin to be safely moved when full, minimising spillage. To empty the containment area, a single Drain Plug has been provided at the front of the Spill Bin. All type SL Spill Bins come in a hot-dipped Galvanised finish.

All models have a spill capacity of at least 110% of the largest package in accordance with Australian Standards, being classified as “portable” units.

For all other specifications refer to the diagram & chart below.

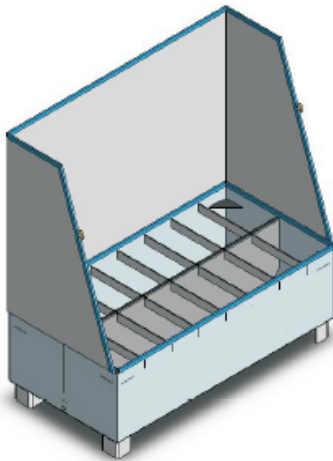
NS-SLC1 Cargo Shield Spill Bin		
Product Price	Painted	
	Galvanized	\$1,272.00
Shipping Price		
Sydney		\$65.00
Brisbane		\$132.00
Melbourne		\$105.00
Adelaide		\$156.00
*All prices are GST exclusive		



### National Sales Pty Ltd

Phone: 02 9011-5522 Fax: 02 02 85804677 Website: [www.handlinggear.com.au](http://www.handlinggear.com.au) email: [sales@handlinggear.com.au](mailto:sales@handlinggear.com.au)  
 SPECIFICATIONS SUBJECT TO CHANGE WITHOUT NOTICE

## Type NS-SLC2 Cargo Shield Spill Bin

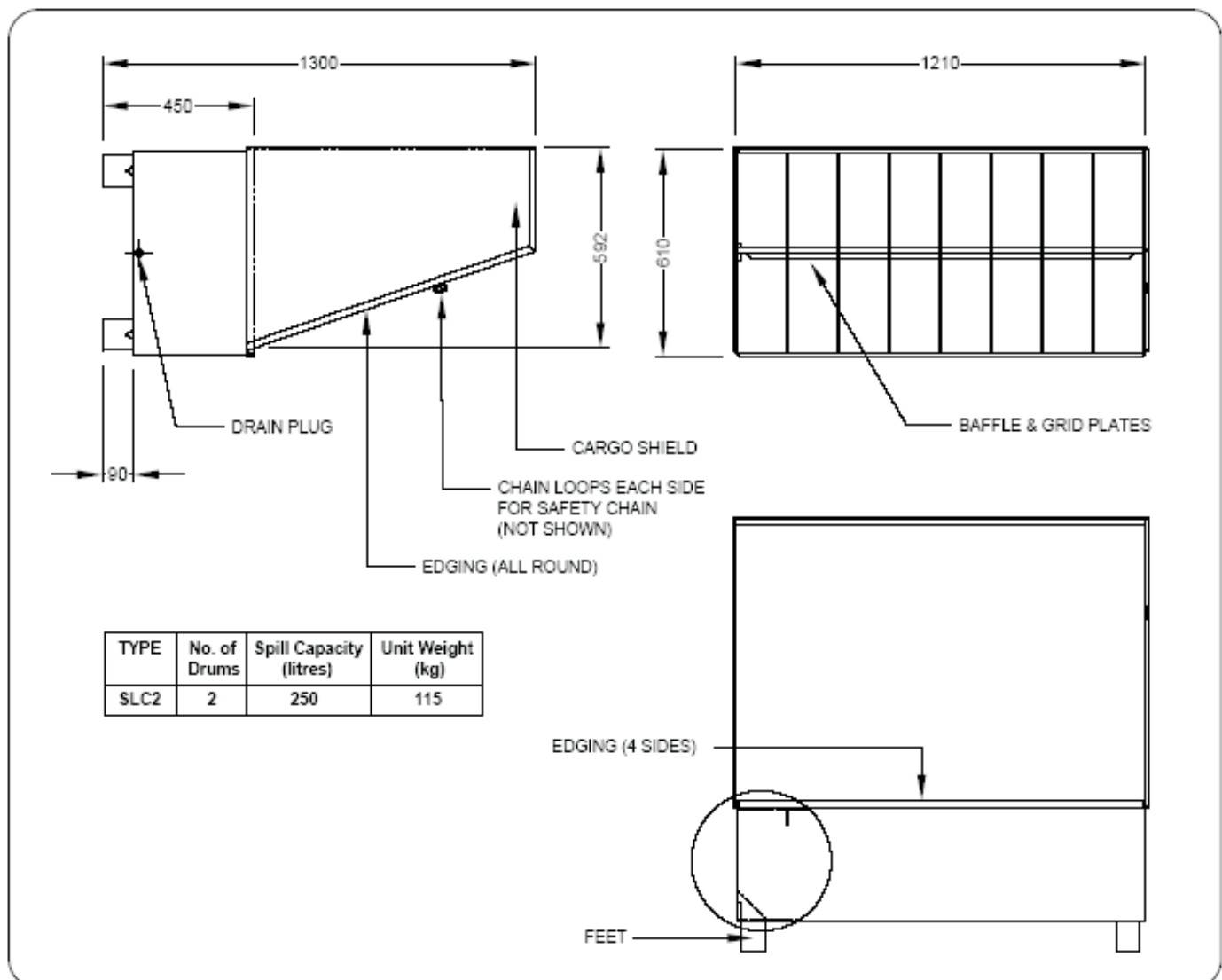


The type NS-SLC2 Cargo Shield Spill Bin offers a complete protection against damaging and costly chemical spills. This unit caters for up to 2 standard 205 litre steel drums and has a Cargo Shield with a safety chain across the front for added protection. Close spacing support bars allow for large or small drums up to 2000kg SWL to be placed directly onto the Spill Bin. The baffled containment area allows the Spill Bin to be safely moved when full, minimising spillage. To empty the containment area, a single Drain Plug has been provided at the side of the Spill Bin. All type SL Spill Bins come in a hot-dipped Galvanised finish.

All models have a spill capacity of at least 110% of the largest package in accordance with Australian Standards, being classified as "portable" units.

For all other specifications refer to the diagram & chart below.

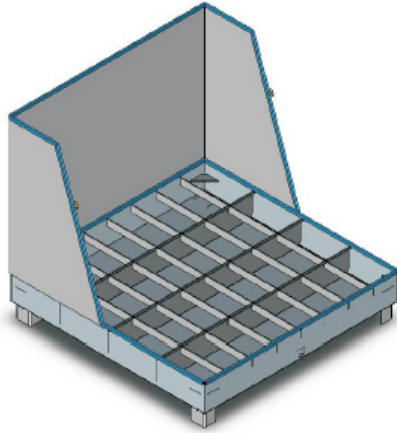
NS-SLC2 Cargo Shield Spill Bin		
Product Price	Painted	
	Galvanized	\$1,312.00
Shipping Price		
Sydney		\$65.00
Brisbane		\$146.00
Melbourne		\$116.00
Adelaide		\$173.00
*All prices are GST exclusive		



### National Sales Pty Ltd

Phone: 02 9011-5522 Fax: 02 02 85804677 Website: [www.handlinggear.com.au](http://www.handlinggear.com.au) email: [sales@handlinggear.com.au](mailto:sales@handlinggear.com.au)  
 SPECIFICATIONS SUBJECT TO CHANGE WITHOUT NOTICE

## Type NS-SLC4 Cargo Shield Spill Bin

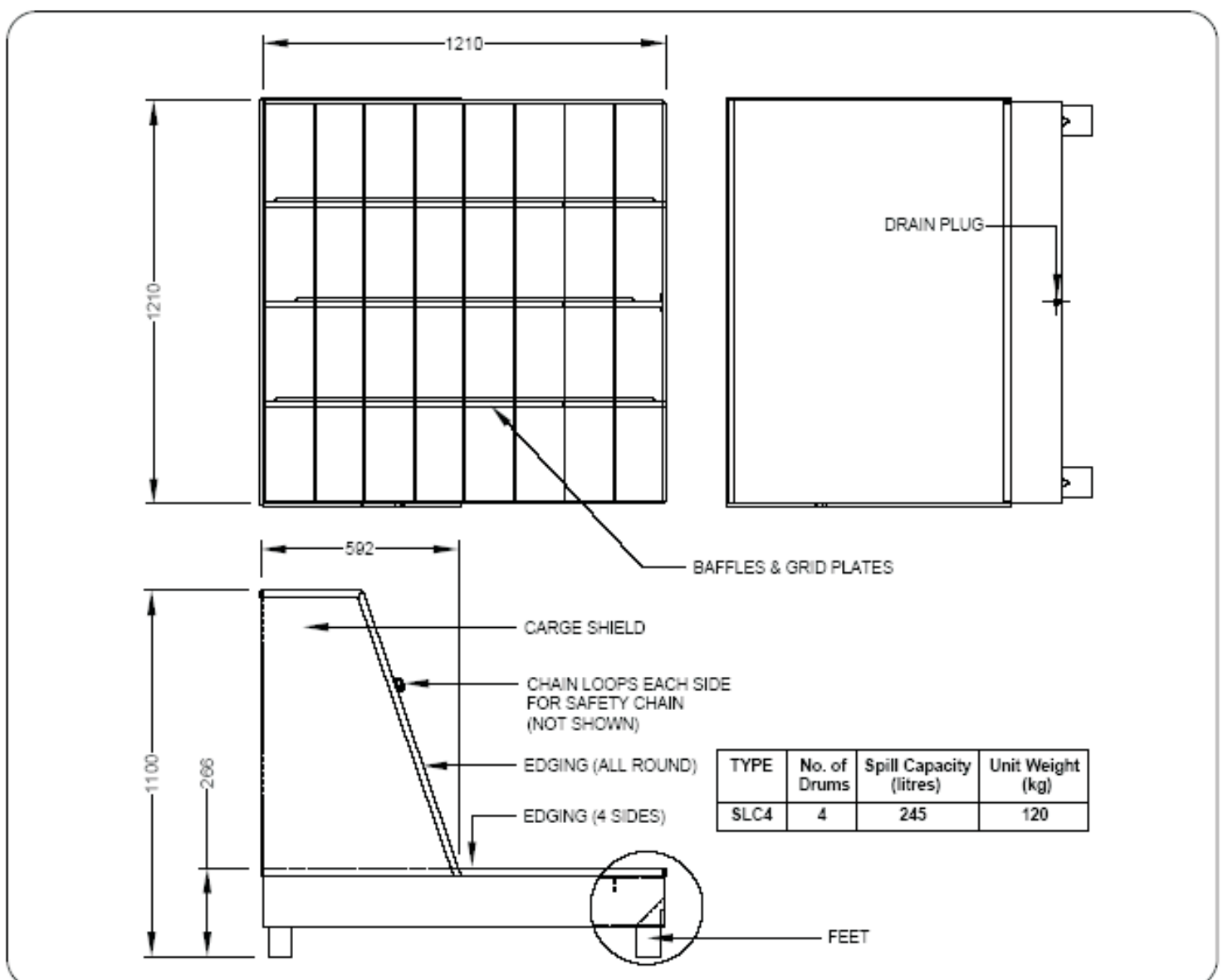


The type NS-SLC4 Cargo Shield Spill Bin offers a complete protection against damaging and costly chemical spills. This unit caters for up to 4 standard 205 litre steel drums and has a Cargo Shield with a safety chain across the front for added protection. Close spacing support bars allow for large or small drums up to 2000kg SWL to be placed directly onto the Spill Bin. The baffled containment area allows the Spill Bin to be safely moved when full, minimising spillage. To empty the containment area, a single Drain Plug has been provided at the front of the Spill Bin. All type SL Spill Bins come in a hot-dipped Galvanised finish.

NS-SLC4 Cargo Shield Spill Bin		
Product Price	Painted	
	Galvanized	\$1,328.00
Shipping Price		
Sydney		\$65.00
Brisbane		\$220.00
Melbourne		\$168.00
Adelaide		\$266.00
*All prices are GST exclusive		

All models have a spill capacity of at least 110% of the largest package in accordance with Australian Standards, being classified as "portable" units.

For all other specifications refer to the diagram & chart below.



### National Sales Pty Ltd

Phone: 02 9011-5522 Fax: 02 02 85804677 Website: [www.handlinggear.com.au](http://www.handlinggear.com.au) email: [sales@handlinggear.com.au](mailto:sales@handlinggear.com.au)  
 SPECIFICATIONS SUBJECT TO CHANGE WITHOUT NOTICE