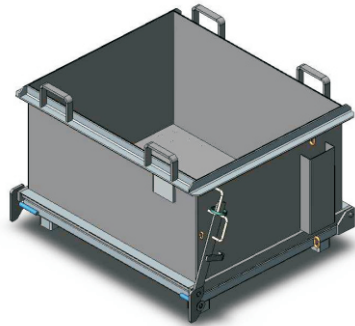


## Type NS-DB-800 Drop Bottom Bin – Standard



The heavy-duty type NS-DB-800 Drop Bottom Bins have been manufactured from 3mm plate and reinforced to handle all waste products. Transport of the Drop Bottom Bin is by either Forklift or Crane with complete emptying achieved through the release of the drop floor. Powerful shock absorbers remove all impact forces to Forklift or Crane during emptying.

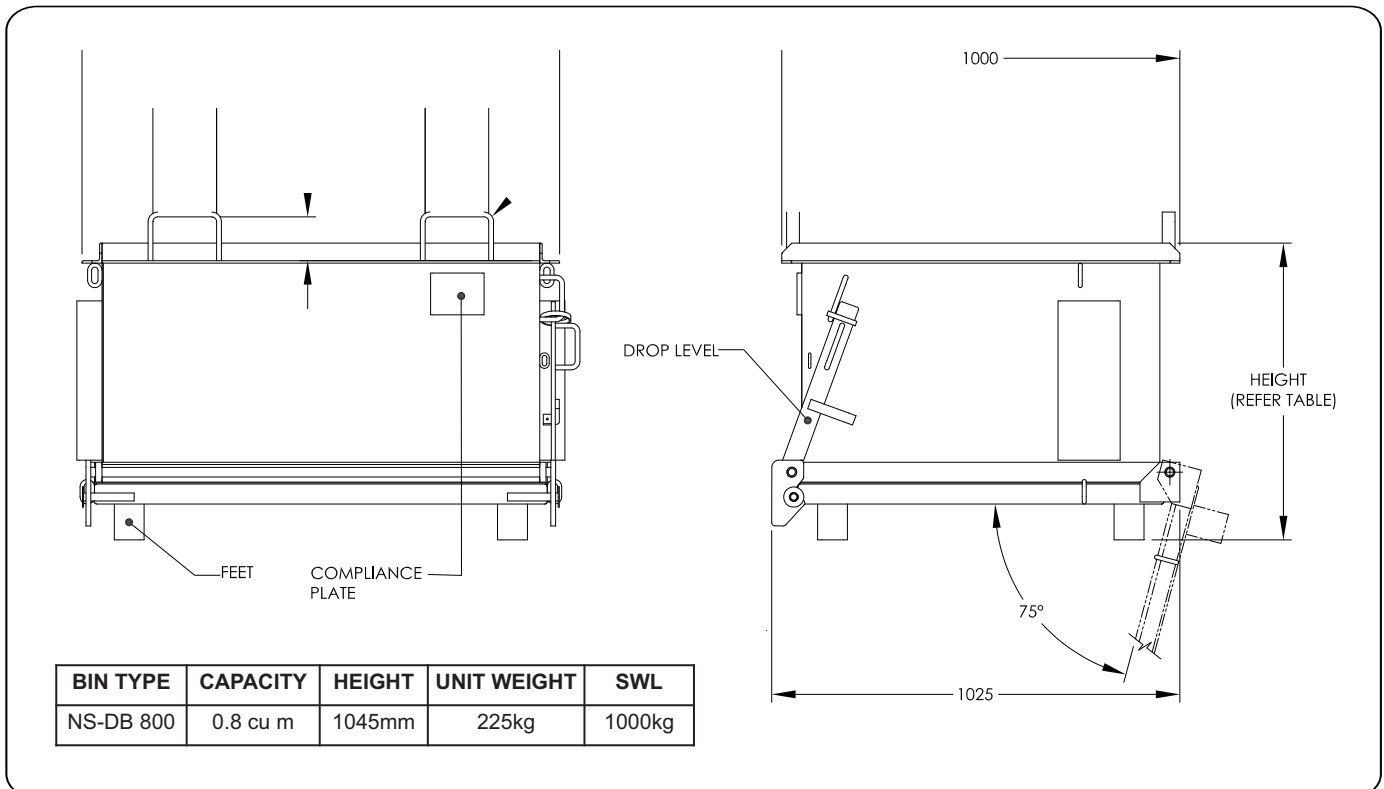
The standard finish is enamel painted.

### SPECIFICATIONS:

- Pocket size 160 x 65mm
- Pocket Centres 684mm
- Safe Working Load 1000kg
- Unit Weight – refer Table
- Volume Capacity – refer Table
- Cast Iron/Rubber Wheels Optional
- Galvanised Lid Optional

Type NS-DB-800 Drop Bottom Bin – Standard	
Product Price :	\$2,048.00
Shipping Price	
Sydney	\$65.00
Brisbane	\$191.00
Melbourne	\$142.00
Adelaide	\$244.00
Perth	\$314.00
*All prices are GST exclusive	

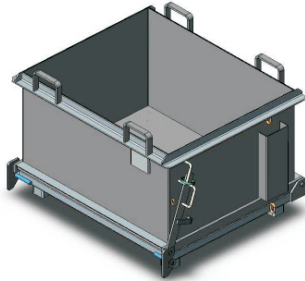
(refer to 'NS-DB Drop Bottom Bin c/w Wheels' Product Specifications for Wheels Models)



## Type NS-DB-1100 Drop Bottom Bin – Standard

The heavy-duty type NS-DB-1100 Drop Bottom Bins have been manufactured from 3mm plate and reinforced to handle all waste products. Transport of the Drop Bottom Bin is by either Forklift or Crane with complete emptying achieved through the release of the drop floor. Powerful shock absorbers remove all impact forces to Forklift or Crane during emptying.

The standard finish is enamel painted.



### SPECIFICATIONS:

- Pocket size 160 x 65mm
- Pocket Centres 684mm
- Safe Working Load 1000kg
- Unit Weight – refer Table
- Volume Capacity – refer Table
- Cast Iron/Rubber Wheels Optional
- Galvanised Lid Optional

Type NS-DB-1100 Drop Bottom Bin – Standard	
Product Price :	\$2,176.00
Shipping Price	
Sydney	\$65.00
Brisbane	\$234.00
Melbourne	\$171.00
Adelaide	\$303.00
Perth	\$392.00
*All prices are GST exclusive	

(refer to 'NS-DB Drop Bottom Bin c/w Wheels' Product Specifications for Wheels Models)

